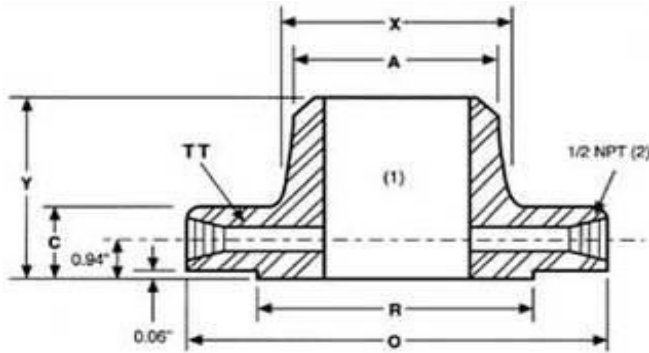


ANSI/ASME B16.36 CLASS 300 WELDNECK ORIFICE FLANGES



Nominal Pipe Size	O.D. Flange	Thk. Of Flange Min	Diam. of Raised Face	Diam. Of Hub	Hub Diam. Chamfer of W.N.	Length Hub	Drilling					
							Diam. of Pressure Connection	Diam. of Bolt Circle	Diam. of Bolt Holes	Number of Bolts	Diam. of Bolt	
NPS	O	C	R	X	A	Y	TT					
in 1	4.88	1.5	2	2.12	1.32	3.25	1/4	3.5	0.69	4	5/8	
mm 25	124	38.1	50.8	53.8	33.5	82.6	6.4	88.9	17.5		15.9	
in 1 1/2	6.12	1.5	2.88	2.75	1.9	3.38	1/4	4.5	0.81	4	3/4	
mm 40	155.4	38.1	73.2	69.9	48.3	85.9	6.4	114.3	20.6		19.1	
in 2	6.5	1.5	3.62	3.31	2.38	3.38	1/4	5	0.69	8	5/8	
mm 50	165.1	38.1	91.9	84.1	60.5	85.9	6.4	127	17.5		15.9	
in 2 1/2	7.5	1.5	4.12	3.94	2.88	3.5	1/4	5.88	0.81	8	3/4	
mm 65	190.5	38.1	104.6	100.1	73.2	88.9	6.4	149.4	20.6		19.1	
in 3	8.25	1.5	5	4.62	3.5	3.5	3/8	6.62	0.81	8	3/4	
mm 80	209.6	38.1	127	117.3	88.9	88.9	9.5	168.1	20.6		19.1	
in 4	10	1.5	6.19	5.75	4.5	3.62	1/2	7.88	0.81	8	3/4	
mm 100	254	38.1	157.2	146.1	114.3	91.9	12.7	200.2	20.6		19.1	
in 6	12.5	1.5	8.5	8.12	6.63	3.94	1/2	10.62	0.88	12	3/4	
mm 150	317.5	38.1	215.9	206.2	168.4	100.1	12.7	269.7	22.4		19.1	
in 8	15	1.62	10.62	10.25	8.63	4.38	1/2	13	1	12	7/8	
mm 200	381	41.1	269.7	260.4	219.2	111.3	12.7	330.2	25.4		22.2	
in 10	17.5	1.88	12.75	12.62	10.75	4.62	1/2	15.25	1.12	16	1	
mm 250	444.5	47.8	323.9	320.5	273.1	117.3	12.7	387.4	28.4		25.4	
in 12	20.5	2	15	14.75	12.75	5.12	1/2	17.75	1.25	16	1 1/8	
mm 300	520.7	50.8	381	374.7	323.9	130	12.7	450.9	31.8		28.6	
in 14	23	2.12	16.25	16.75	14	5.62	1/2	20.25	1.25	20	1 1/8	
mm 350	584.2	53.8	412.8	425.5	355.6	142.7	12.7	514.4	31.8		28.6	
in 16	25.5	2.25	18.5	19	16	5.75	1/2	22.5	1.38	20	1 1/4	
mm 400	647.7	57.2	469.9	482.6	406.4	146.1	12.7	571.5	35.1		31.8	
in 18	28	2.38	21	21	18	6.25	1/2	24.75	1.38	24	1 1/4	
mm 450	711.2	60.5	533.4	533.4	457.2	158.8	12.7	628.7	35.1		31.8	
in 20	30.5	2.5	23	23.12	20	6.38	1/2	27	1.38	24	1 1/4	
mm 500	774.7	63.5	584.2	587.2	508	162.1	12.7	685.8	35.1		31.8	
in 24	36	2.75	27.25	27.62	24	6.62	1/2	32	1.62	24	1 1/2	
mm 600	914.4	69.9	692.2	701.5	609.6	168.1	12.7	812.8	41.1		38.1	